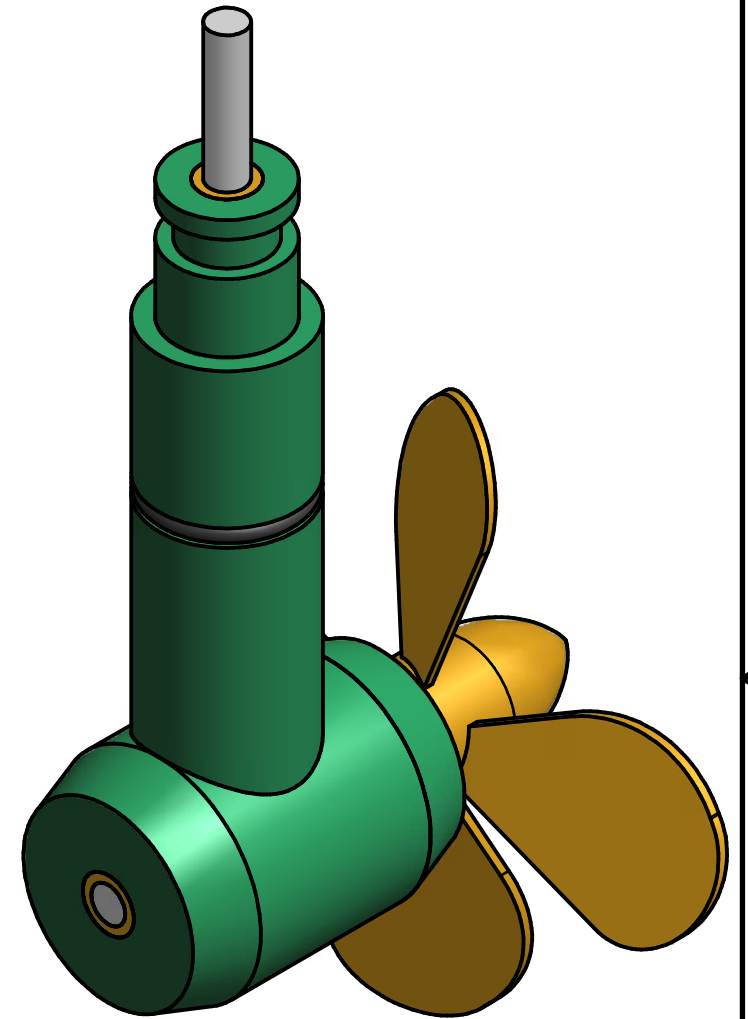
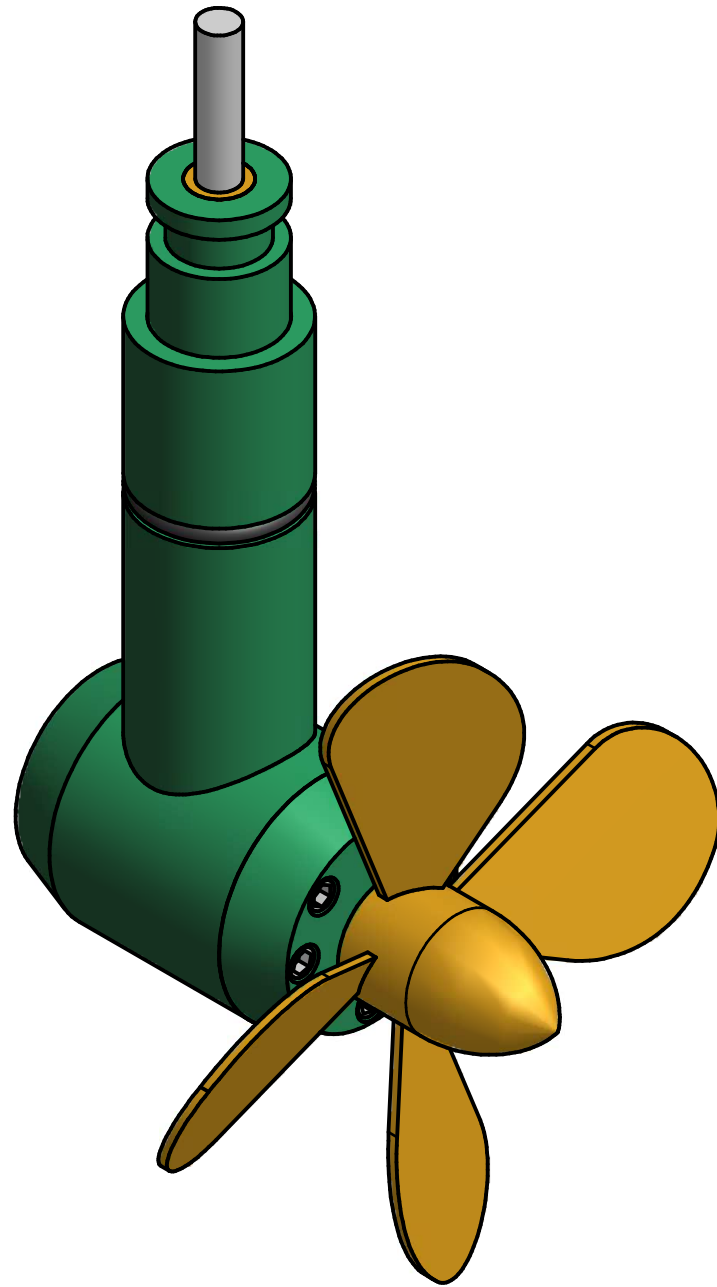


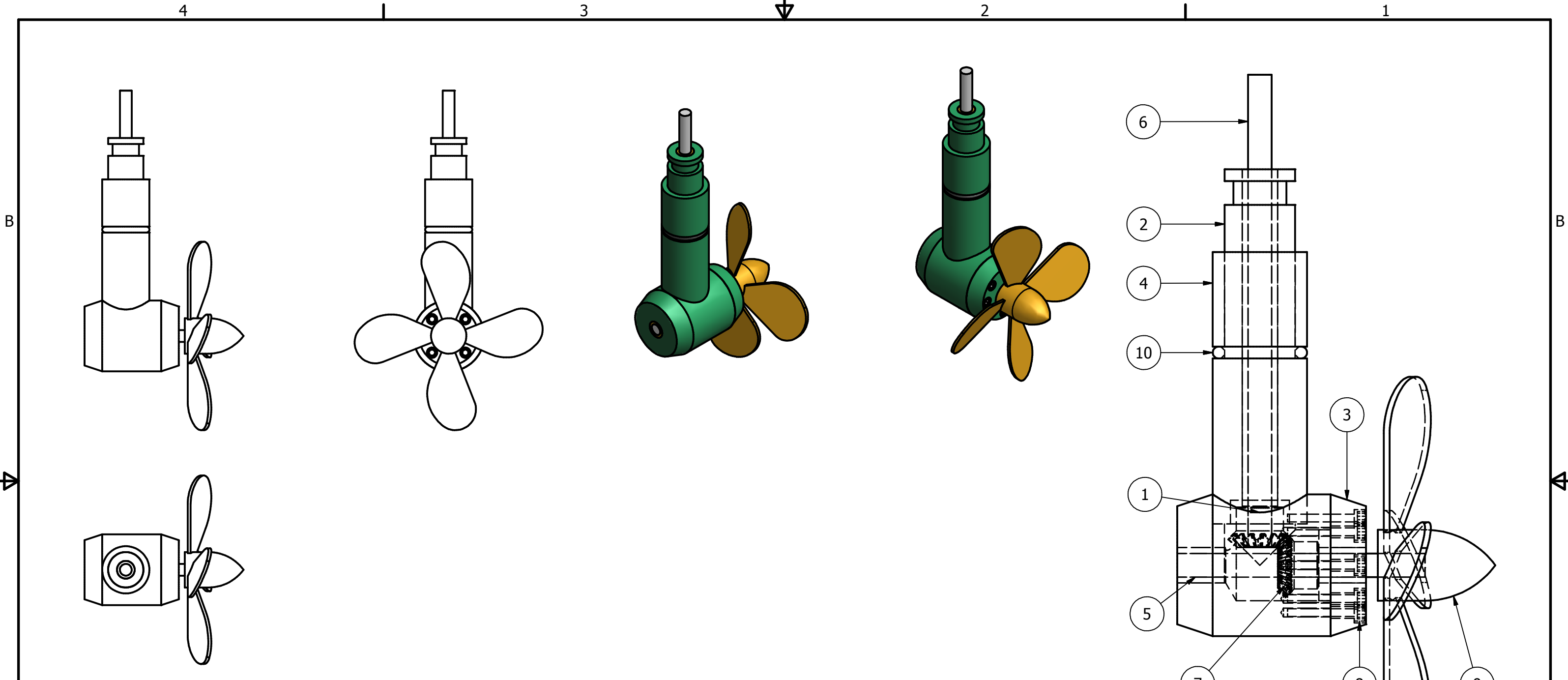
Queen of Chilliwack Right Angle Drive Unit Scale from Life 1:60

Drawing and design by Brett S. Williams

This is a RAD unit for 1:60 scale 350-400' ships with R or L hand Drive



DR. BY: BRETT S. WILLIAMS		BRETT WILLIAMS DESIGN
DATE 11/03/2008		
SCALE	SHEET: 1 OF 7	Queen of Chilliwack RAD TITLE



Scale 2:1

Parts List

ITEM	PAGE	QTY	PART NUMBER	DESCRIPTION
1	4	1	Horizontal Shaft Housing	Machine Turned 3/4" Brass Rod - Hull Colour
2	5	1	Vertical Shaft / Gear Housing	Machine Turned 1/2" Brass Rod - Hull Colour
3	6	1	Gear Housing End Cap	Machine Turned 3/4" Brass Rod - Hull Colour
4	7	1	Mounting Block	Machine Turned 1/2" Brass Rod
5	N/A	1	Horizontal Shaft	Dumas 1/8" Drive Shaft (by others)
6	N/A	1	Verticle Shaft	Dumas 1/8" Drive Shaft (by others)
7	N/A	2	Mitre Gear	A 1B 4-Y48015 (by others)
8	N/A	8	Cap Screw	No. 0 Hex Head Cap Screw (by others)
9	N/A	1	Propellor	2" RABOESCH Brass Propellor (by others)
10	N/A	1	O-Ring	(by others)

DR. BY:
BRETT S. WILLIAMS

DATE
11/03/2008

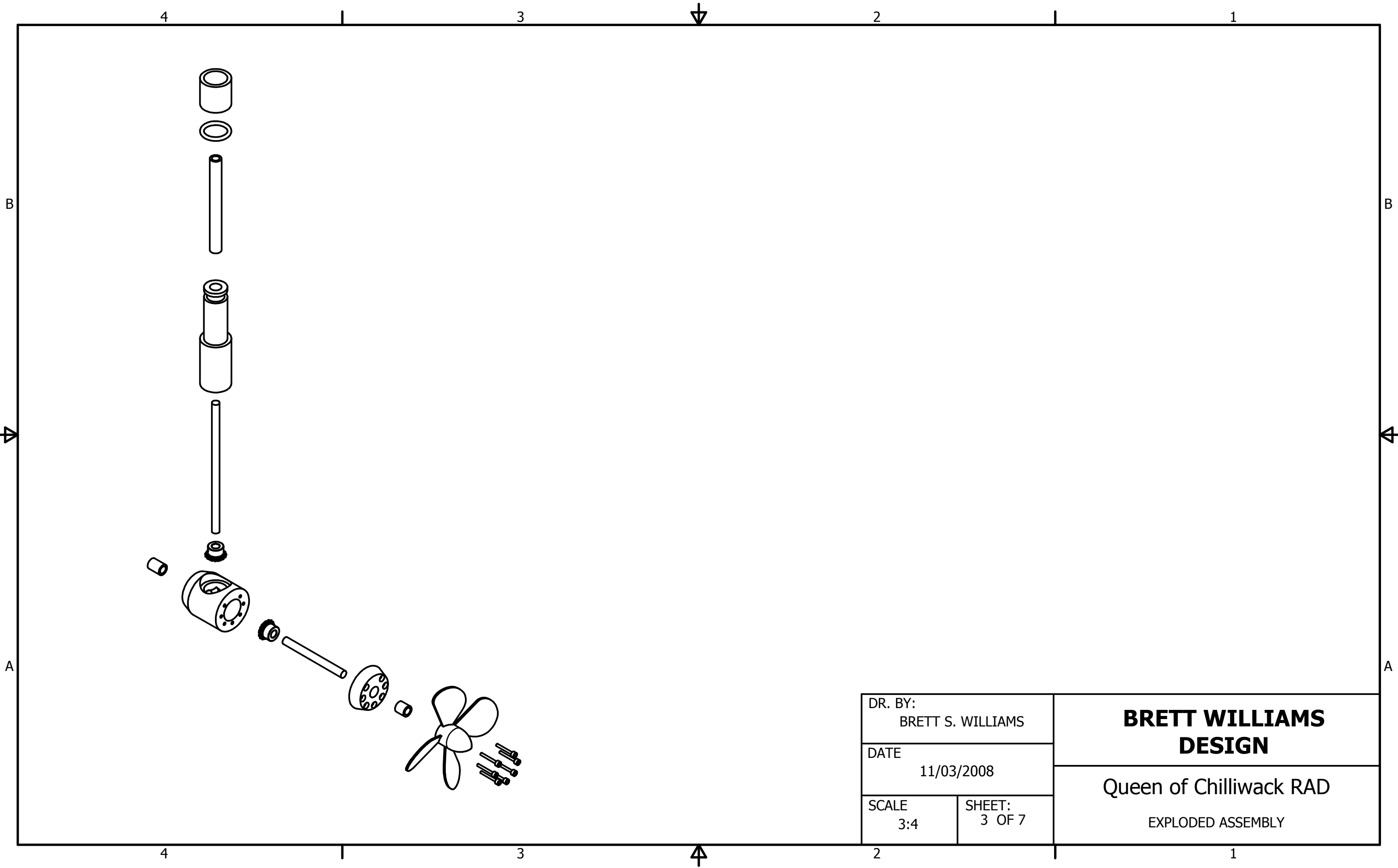
SCALE
1:1

SHEET:
2 OF 7

**BRETT WILLIAMS
DESIGN**

Queen of Chilliwack RAD

ASSEMBLY



DR. BY:
BRETT S. WILLIAMS

DATE
11/03/2008

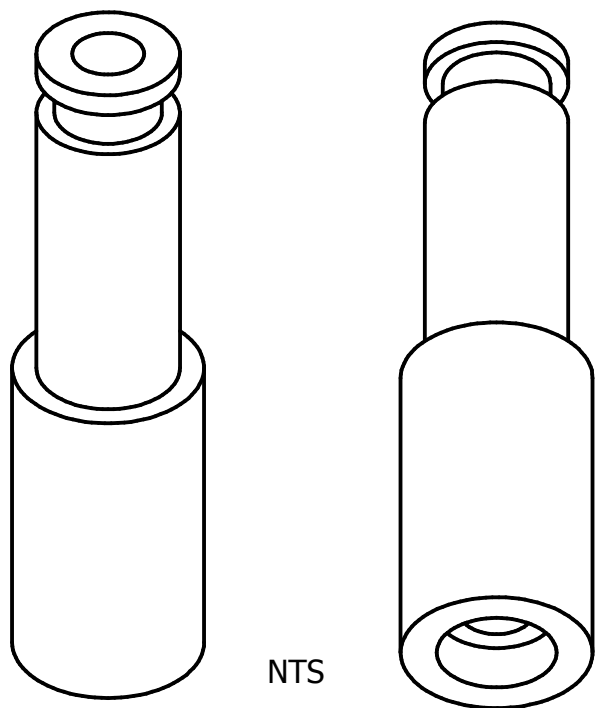
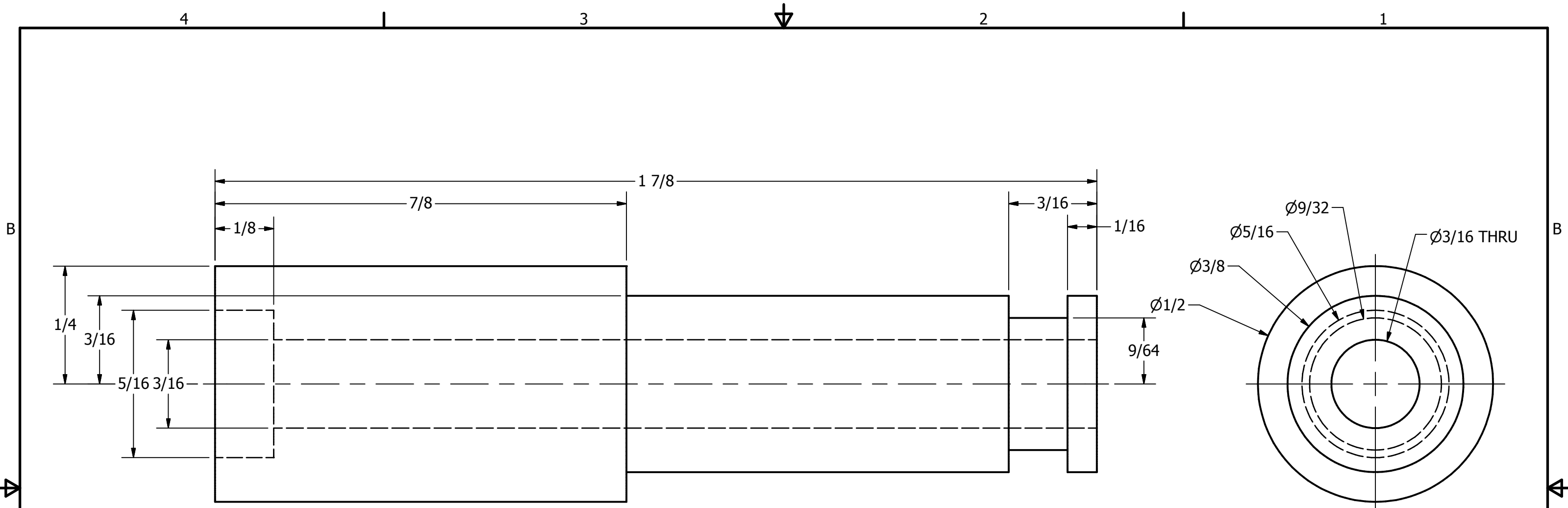
SCALE
3:4

SHEET:
3 OF 7

**BRETT WILLIAMS
DESIGN**

Queen of Chilliwack RAD

EXPLODED ASSEMBLY



NTS

NOTES:
 -PART MACHINED FROM 1/2" BRASS ROD
 -SMOOTH ALL SURFACES

DR. BY: BRETT S. WILLIAMS	
DATE 11/03/2008	
SCALE 5:1	SHEET: 4 OF 7

BRETT WILLIAMS DESIGN
Queen of Chilliwack RAD
VERTICLE SHAFT HOUSING

4

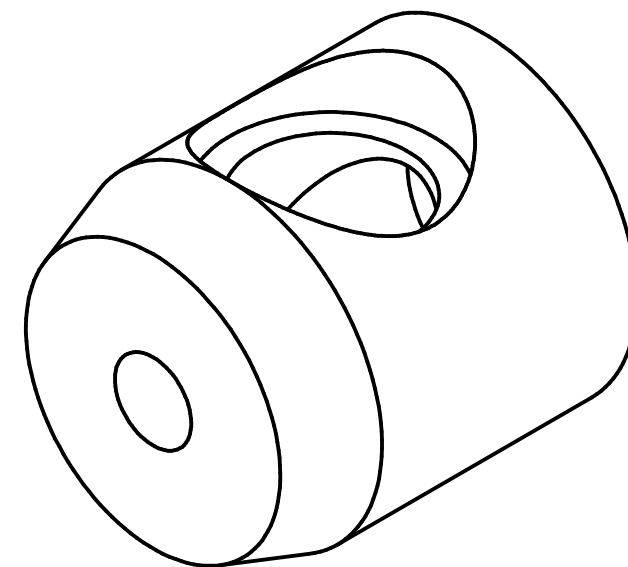
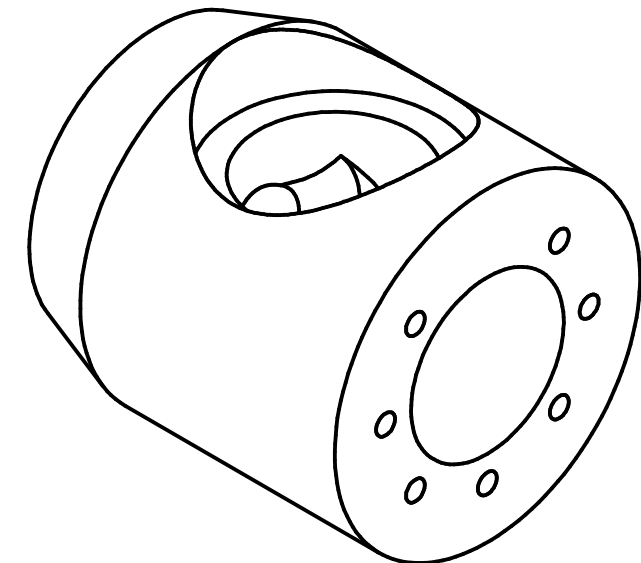
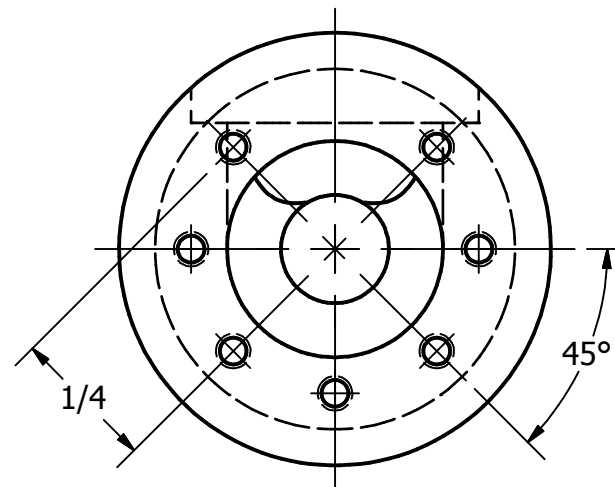
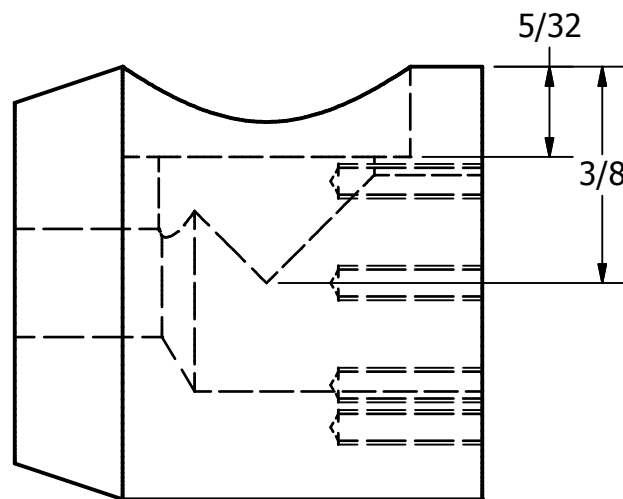
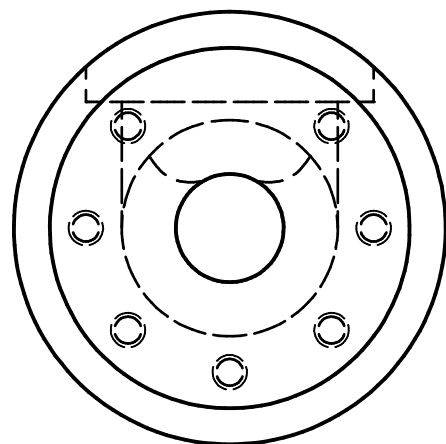
3

2

1

B

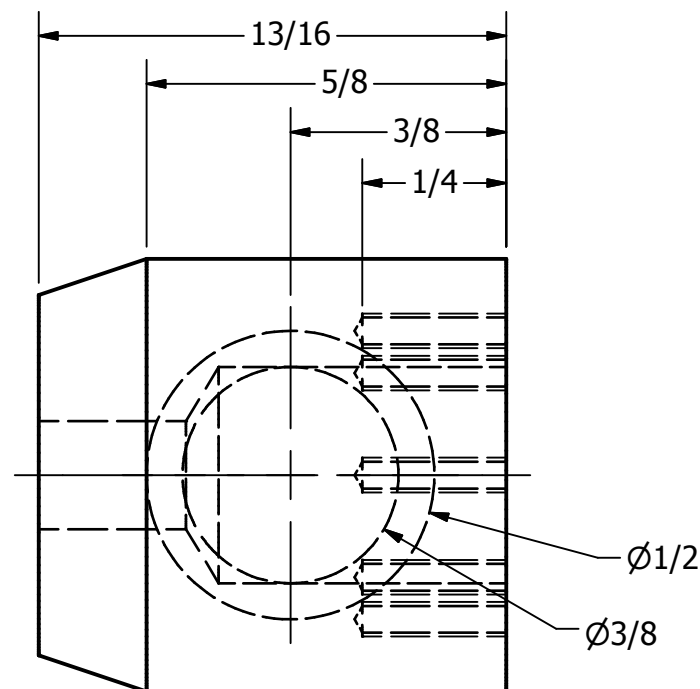
B



A

A

NOTES:
 -PART MACHINED FROM 3/4" BRASS ROD
 -SMOOTH ALL SURFACES
 -ALL HOLES TAPPED WITH NO. 0 THREAD TAP



DR. BY: BRETT S. WILLIAMS	
DATE 11/03/2008	
SCALE 3:1	SHEET: 5 OF 7

BRETT WILLIAMS DESIGN
Queen of Chilliwack RAD HORIZONTAL SHAFT / GEAR HOUSING

4

3

2

1

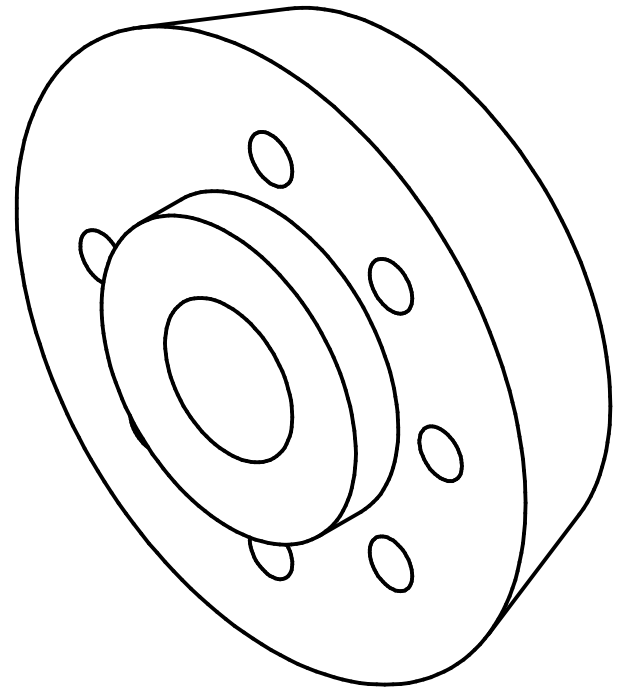
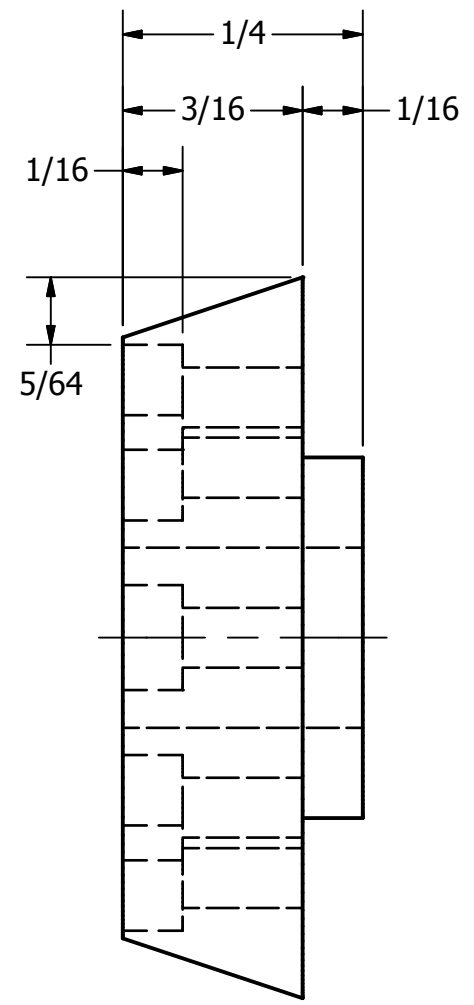
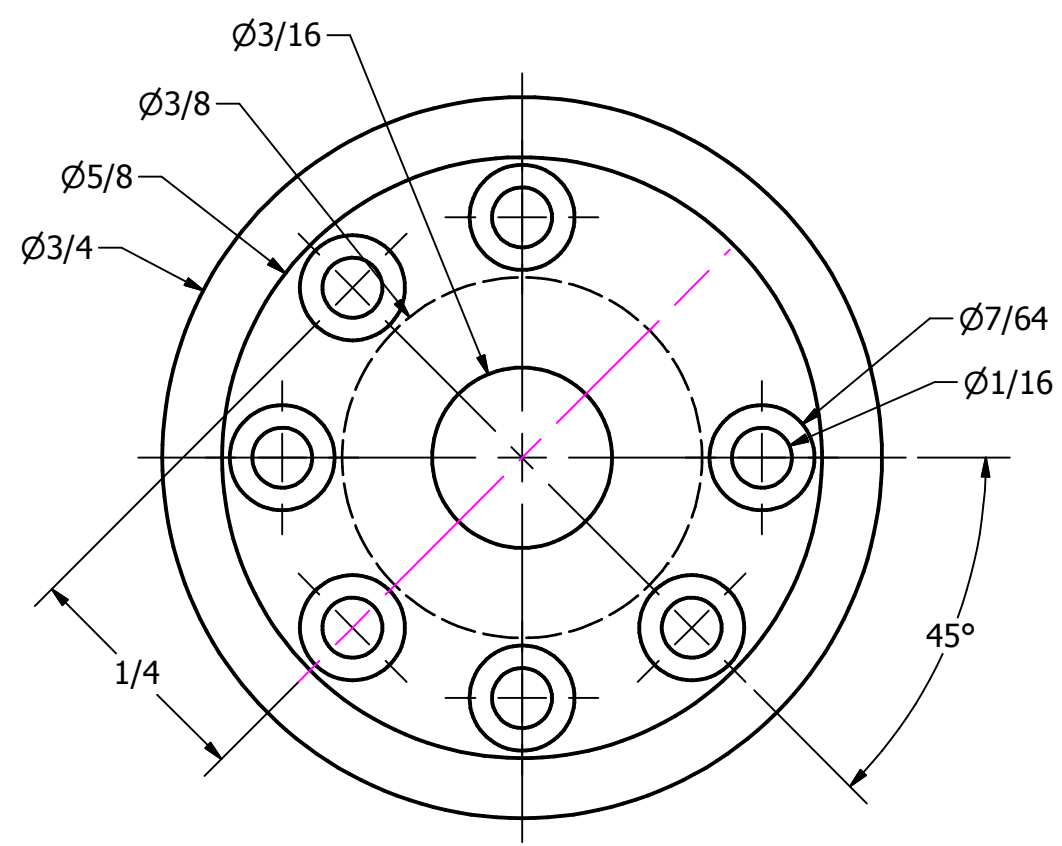
A

A

4 3 2 1

B

B



A

A

NOTES:
 -PART MACHINED FROM 3/4" BRASS ROD
 -SMOOTH ALL SURFACES

A

A

4 3 2 1

DR. BY: BRETT S. WILLIAMS	
DATE 11/03/2008	
SCALE 5:1	SHEET: 6 OF 7

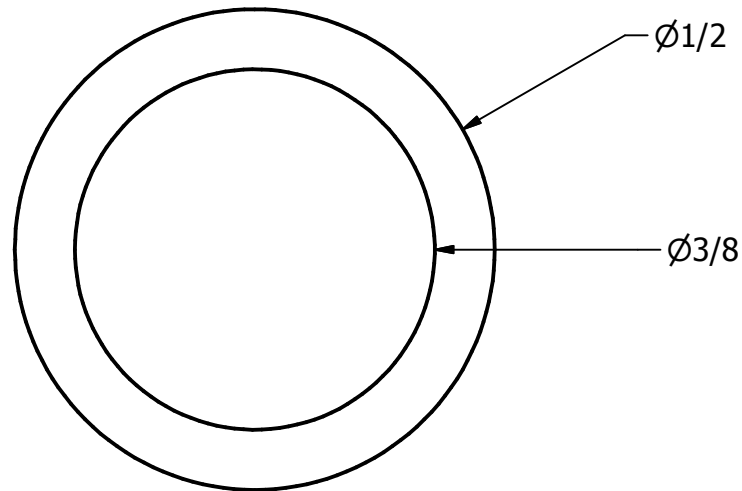
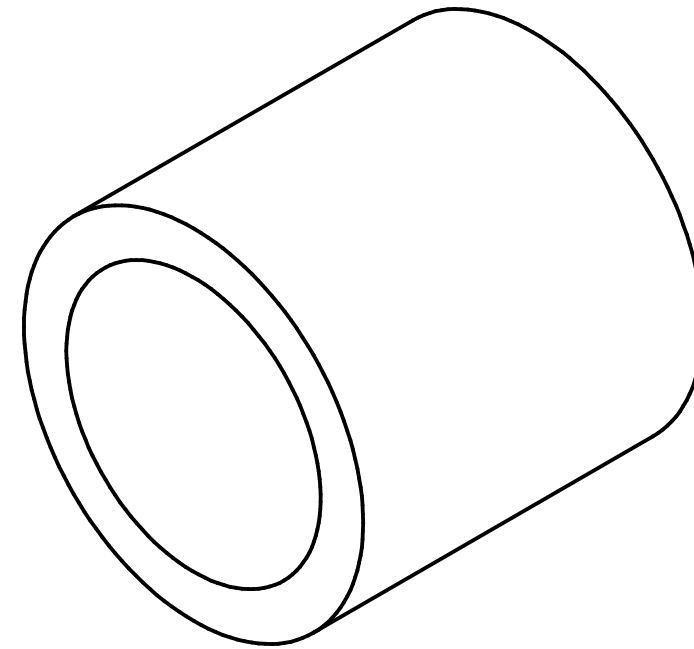
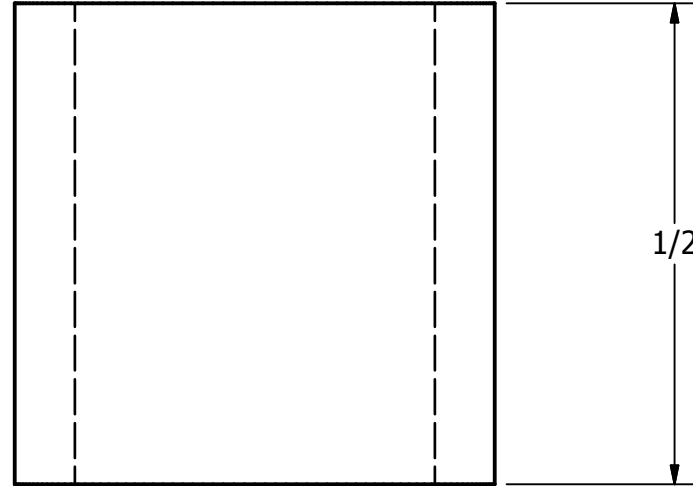
BRETT WILLIAMS DESIGN
Queen of Chilliwack RAD GEAR HOUSING END CAP

4

3

2

1



NOTES:
 -MACHINES FROM 1/2" BRASS ROD
 -SMOOTH ALL SURFACES

DR. BY: BRETT S. WILLIAMS	
DATE 11/03/2008	
SCALE 5:1	SHEET: 7 OF 7

BRETT WILLIAMS DESIGN
Queen of Chilliwack RAD MOUNTNG BLOCK

4

3

2

1

B

B

A

A